

Description: High efficiency LED decorative pendant mount luminaire with machined aluminum housing and clear acrylic light control lens.

Lamping: Single 2 watt LED, 150 lumens, 90 CRI, 2700K (27), 3000K (30), 3500K (35) color temperature options. Color consistent from LED to LED within a 3 step MacAdam ellipse.

Electrical: Constant current class 2 driver, 120/277V 50/60Hz, (sold separate). See D8_700 series remote driver spec sheets for details.

Function: Canopy and mounting plate provided. Mounts directly to 4" octagonal j-box (by others) 120"(3048mm) suspension cable provided standard. Field adjustable. Blank canopies (BC) optional (sold separate).

Metal finish:
 Clear anodized aluminum (S)
 Black anodized aluminum (B)
 Gold anodized aluminum (G)
 Champagne anodized aluminum (C)

Light Distribution Optics:

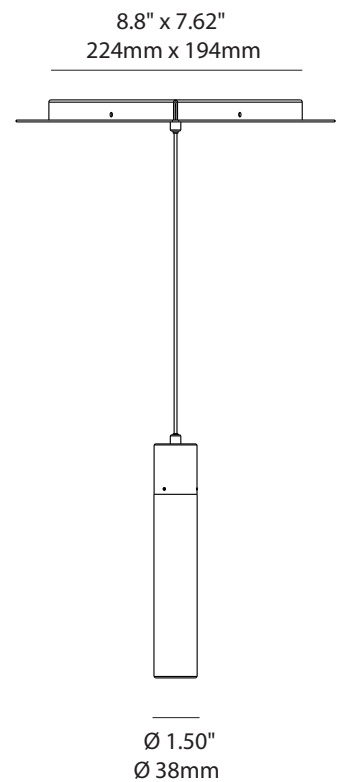
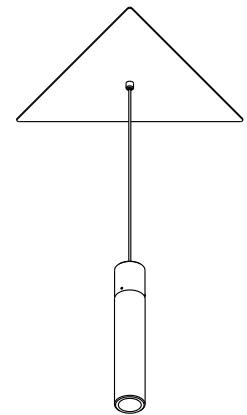


Clear cylinder diffuse aperture (CD)
 Satin cylinder diffuse aperture (SD)
 Clear cylinder concentric aperture (CC)

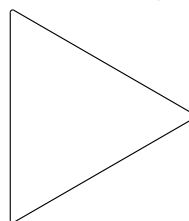
Approvals: Dry locations, approved to UL safety standards for luminaires when used with Archilume D8_700 series drivers.

Order Code: P1T- _____ - _____ - _____

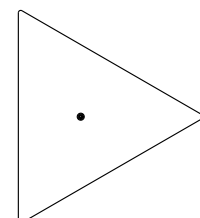
27 2700K	S silver	CD clear cylinder diffuse aperture
30 3000K	B black	SD satin cylinder diffuse aperture
35 3500K	G gold	CC clear cylinder concentric aperture
BC blank	C champagne	___ leave blank for BC option



Blank Canopy



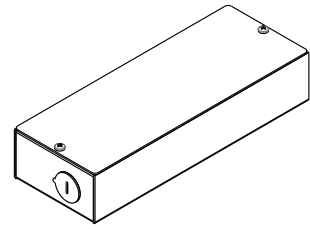
9.63"
245mm



11.08"
282mm

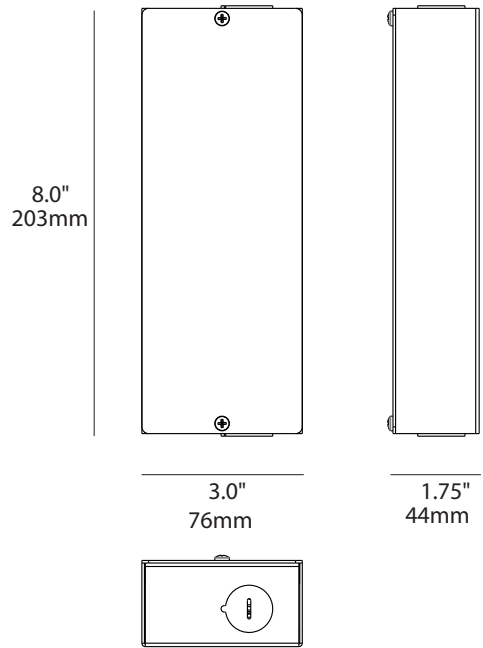
Description: Remote Mounted Electronic Driver - Suitable for operation of 1 to 8 Archilume lamp heads. Suitable for remote mounting up to 25 feet.

Electrical: 20 watt, 120-277V 50/60Hz input, 700mA constant current class 2 output. Class A sound rating. Short circuit protection. The violet (positive) and the gray (negative) leads provided are for use with 0-10V DC type dimmers and controls.



Compatible 0-10V dimmers and switches: Leviton ILLumaTech - IP710-DLX
Lutron Nova T - NTFTV
Lutron Diva - DVTV
Lutron Diva - NFTV
Watt Stoper DCLV1
Pass and Seymour (Legrand) CD4FB-W

Compatible dimming control systems: Lutron GraphicEye - GRX-TVI w GRX3503
Lutron Energy Savr Node - QSN-4T16-S
Lutron TVM2 Module
Crestron GLX-DIMFLV8
Crestron GLXP-DIMFLV8
Crestron GLPAC-DIMFLV4-*
Crestron GLPAC-DIMFLV8-*
Crestron GLPP-DIMFLVEX-PM
Crestron GLPP-1DIMFLV2EX-PM
Crestron GLPP-1DIMFLV3EX-PM
Crestron DIN-AO8
Crestron DIN-4DIMFLV4
Crestron CLS-EXP-DIMFLV
Crestron CLCI-1DIMFLV2EX



Mounting: Mounts from inside box with (2) #10 screws (by others). Mounting holes are on the centerline on 6.75" (171mm) centers.

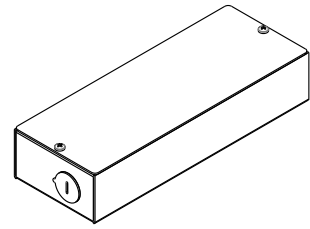
Remote Box Finish: Galvanized metal.

Approvals: Dry locations, approved to UL safety standards for luminaires.

Order Code: D8-700-010

Description: Remote Mounted Electronic Driver - Suitable for operation of 1 to 8 Archilume lamp heads. Suitable for remote mounting up to 25 feet.

Electrical: 20 watt, 120-277V 50/60Hz input, 700mA constant current class 2 output. Class A sound rating. Short circuit protection. The positive and negative control leads provided are for use with Dali-2 type control systems.



Control protocol: DALI-2 Device Type 6

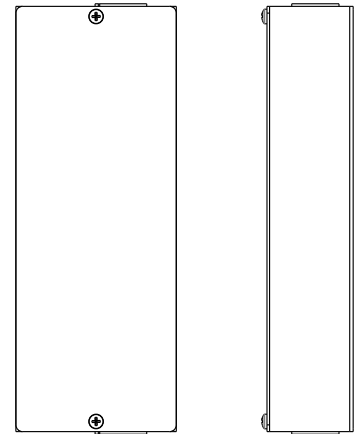
Mounting: Mounts from inside box with (2) #10 screws (by others). Mounting holes are on the centerline on 6.75" (171mm) centers.

Remote Box Finish: Galvanized metal.

Approvals: Dry locations, approved to UL safety standards for luminaires.

Order Code: D8-700-DALI

8.0"
203mm



3.0"
76mm

1.75"
44mm

