

**Description:** High efficiency LED decorative pendant mount luminaire with machined aluminum housing and clear acrylic light control lens.

**Lamping:** Single 2 watt LED, 150 lumens, 90 CRI, 2700K (27), 3000K (30), 3500K (35) color temperature options. Color consistent from LED to LED within a 3 step MacAdam ellipse.

**Electrical:** Constant current class 2 driver, 120/277V 50/60Hz, (sold separate). See D8\_700 series remote driver spec sheets for details.

**Function:** Canopy and mounting plate provided. Mounts directly to ceiling structure. 120"(3048mm) suspension cable provided standard. Field adjustable.

**Metal finish:**  
 Clear anodized aluminum (S)  
 Black anodized aluminum (B)  
 Gold anodized aluminum (G)  
 Champagne anodized aluminum (C)

**Light Distribution Optics:**



Clear cylinder diffuse aperture (CD)  
 Satin cylinder diffuse aperture (SD)  
 Clear cylinder concentric aperture (CC)

**Approvals:** Dry locations, approved to UL safety standards for luminaires when used with Archilume D8\_700 series drivers.

**Order Code:**

P1M- \_\_\_\_\_ - \_\_\_\_\_ - \_\_\_\_\_  
 27 2700K      S silver      CD clear cylinder diffuse aperture  
 30 3000K      B black      SD satin cylinder diffuse aperture  
 35 3500K      G gold      CC clear cylinder concentric aperture  
    C champagne



Ø 1.5"  
 Ø 38mm

120"  
 3048mm  
 variable

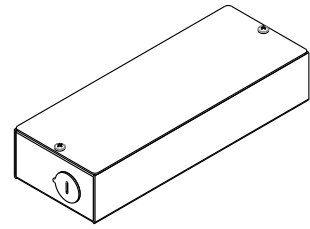
8"  
 203mm



Ø 1.50"  
 Ø 38mm

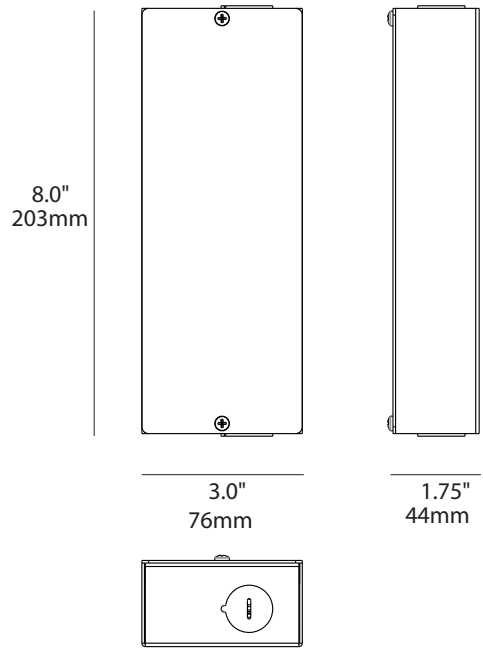
**Description:** Remote Mounted Electronic Driver - Suitable for operation of 1 to 8 Archilume lamp heads. Suitable for remote mounting up to 25 feet.

**Electrical:** 20 watt, 120-277V 50/60Hz input, 700mA constant current class 2 output. Class A sound rating. Short circuit protection. The violet (positive) and the gray (negative) leads provided are for use with 0-10V DC type dimmers and controls.



**Compatible 0-10V dimmers and switches:** Leviton ILLumaTech - IP710-DLX  
Lutron Nova T - NTFTV  
Lutron Diva - DVTV  
Lutron Diva - NFTV  
Watt Stoper DCLV1  
Pass and Seymour (Legrand) CD4FB-W

**Compatible dimming control systems:** Lutron GraphicEye - GRX-TVI w GRX3503  
Lutron Energy Savr Node - QSN-4T16-S  
Lutron TVM2 Module  
Crestron GLX-DIMFLV8  
Crestron GLXP-DIMFLV8  
Crestron GLPAC-DIMFLV4-\*  
Crestron GLPAC-DIMFLV8-\*  
Crestron GLPP-DIMFLVEX-PM  
Crestron GLPP-1DIMFLV2EX-PM  
Crestron GLPP-1DIMFLV3EX-PM  
Crestron DIN-AO8  
Crestron DIN-4DIMFLV4  
Crestron CLS-EXP-DIMFLV  
Crestron CLCI-1DIMFLV2EX



**Mounting:** Mounts from inside box with (2) #10 screws (by others). Mounting holes are on the centerline on 6.75" (171mm) centers.

**Remote Box Finish:** Galvanized metal.

**Approvals:** Dry locations, approved to UL safety standards for luminaires.

**Order Code:** D8-700-010