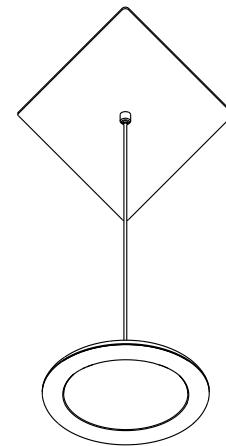
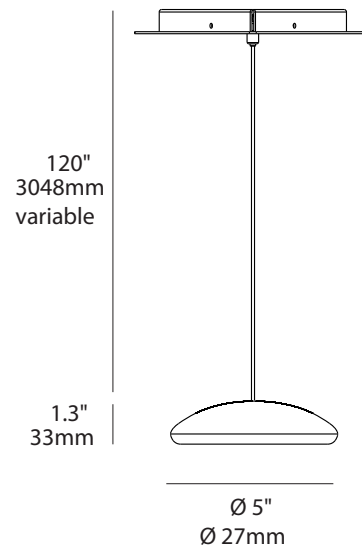


- Description: Human centric OLED decorative pendant mount luminaire with machined aluminum housing and naturally diffuse light source.
- Lamping: 3 watt dimmable OLED, 200 lumens, 3000K (30), 90 CRI, R9 >50. OLED is a light source that provides soft yet bright full spectrum illumination resulting in an artificial light that resembles daylight.
- Electrical: Constant current class 2 driver, 120/277V 50/60Hz, (sold separate). See D8\_150 series remote driver spec sheets for details.
- Function: Canopy and mounting plate provided. Mounts directly to 4" octagonal j-box (by others) 120"(3048mm) suspension cable provided standard. Field adjustable. Blank canopies (BC) optional (sold separate).
- Metal finish: Clear anodized aluminum (S)  
Black anodized aluminum (B)  
Gold anodized aluminum (G)  
Champagne anodized aluminum (C)
- Light Distribution: Soft brightness naturally diffuse light source
- Approvals: Dry locations, approved to UL safety standards for luminaires when used with Archilume D8\_150 series drivers.

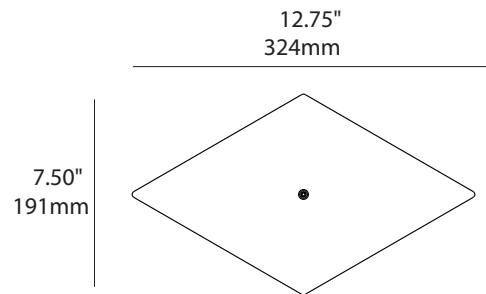
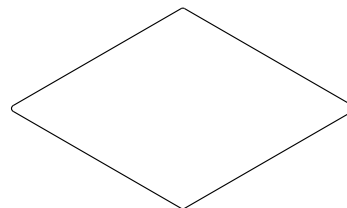


12.75" x 7.50"  
324mm x 191mm



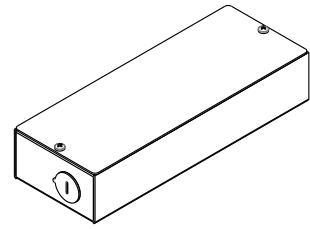
- Order Code: P1D-OV-\_\_\_\_\_ - \_\_\_\_\_  
 30 3000K      S silver  
 BC blank      B black  
                   G gold  
                   C champagne

Blank Canopy



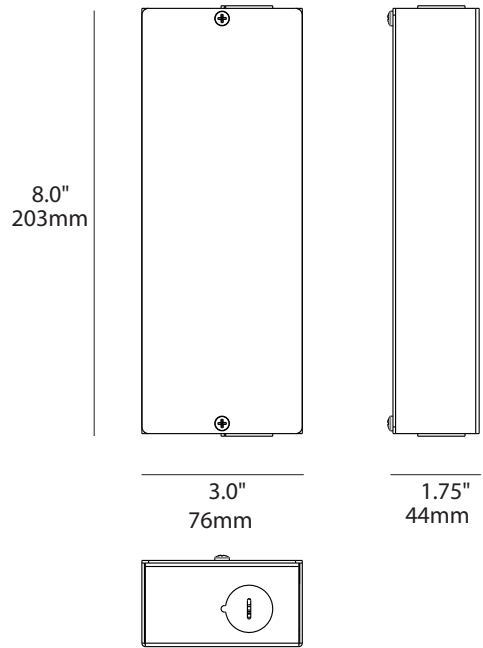
**Description:** Remote Mounted Electronic Driver - Suitable for operation of 1 to 2 Archilume Ovolo dimmable lamp heads. Suitable for remote mounting up to 25 feet.

**Electrical:** 8 watt, 120-277V 50/60Hz input, 150mA constant current class 2 output. Class A sound rating. Short circuit protection. The violet (positive) and the gray (negative) leads provided are for use with 0-10V DC type dimmers and controls.



**Compatible 0-10V dimmers and switches:** Leviton IllumaTech - IP710-DLX  
Lutron Nova T - NTFTV  
Lutron Diva - DVTV  
Lutron Diva - NFTV  
Watt Stoper DCLV1  
Pass and Seymour (Legrand) CD4FB-W

**Compatible dimming control systems:** Lutron GraphicEye - GRX-TVI w GRX3503  
Lutron Energy Savr Node - QSN-4T16-S  
Lutron TVM2 Module  
Crestron GLX-DIMFLV8  
Crestron GLXP-DIMFLV8  
Crestron GLPAC-DIMFLV4-\*  
Crestron GLPAC-DIMFLV8-\*  
Crestron GLPP-DIMFLVEX-PM  
Crestron GLPP-1DIMFLV2EX-PM  
Crestron GLPP-1DIMFLV3EX-PM  
Crestron DIN-AO8  
Crestron DIN-4DIMFLV4  
Crestron CLS-EXP-DIMFLV  
Crestron CLCI-1DIMFLV2EX



**Mounting:** Mounts from inside box with (2) #10 screws (by others). Mounting holes are on the centerline on 6.75" (171mm) centers.

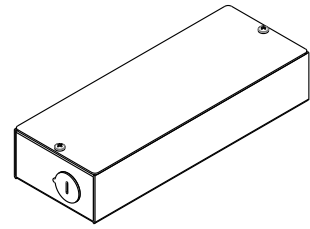
**Remote Box Finish:** Galvanized metal.

**Approvals:** Dry locations, approved to UL safety standards for luminaires.

**Order Code:** D8-150-010

**Description:** Remote Mounted Electronic Driver - Suitable for operation of 1 to 2 Archilume lamp heads. Suitable for remote mounting up to 25 feet.

**Electrical:** 20 watt, 120-277V 50/60Hz input, 150mA constant current class 2 output. Class A sound rating. Short circuit protection. The positive and negative control leads provided are for use with Dali-2 type control systems.



**Control protocol:** DALI-2 Device Type 6

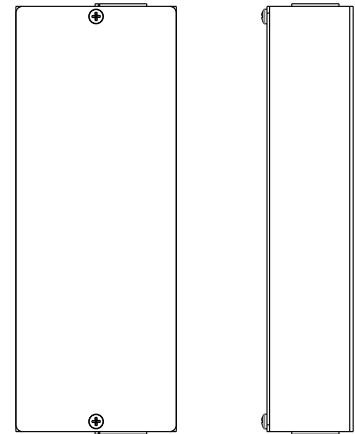
**Mounting:** Mounts from inside box with (2) #10 screws (by others). Mounting holes are on the centerline on 6.75" (171mm) centers.

**Remote Box Finish:** Galvanized metal.

**Approvals:** Dry locations, approved to UL safety standards for luminaires.

**Order Code:** D8-150-DALI

8.0"  
203mm



3.0"  
76mm

1.75"  
44mm

