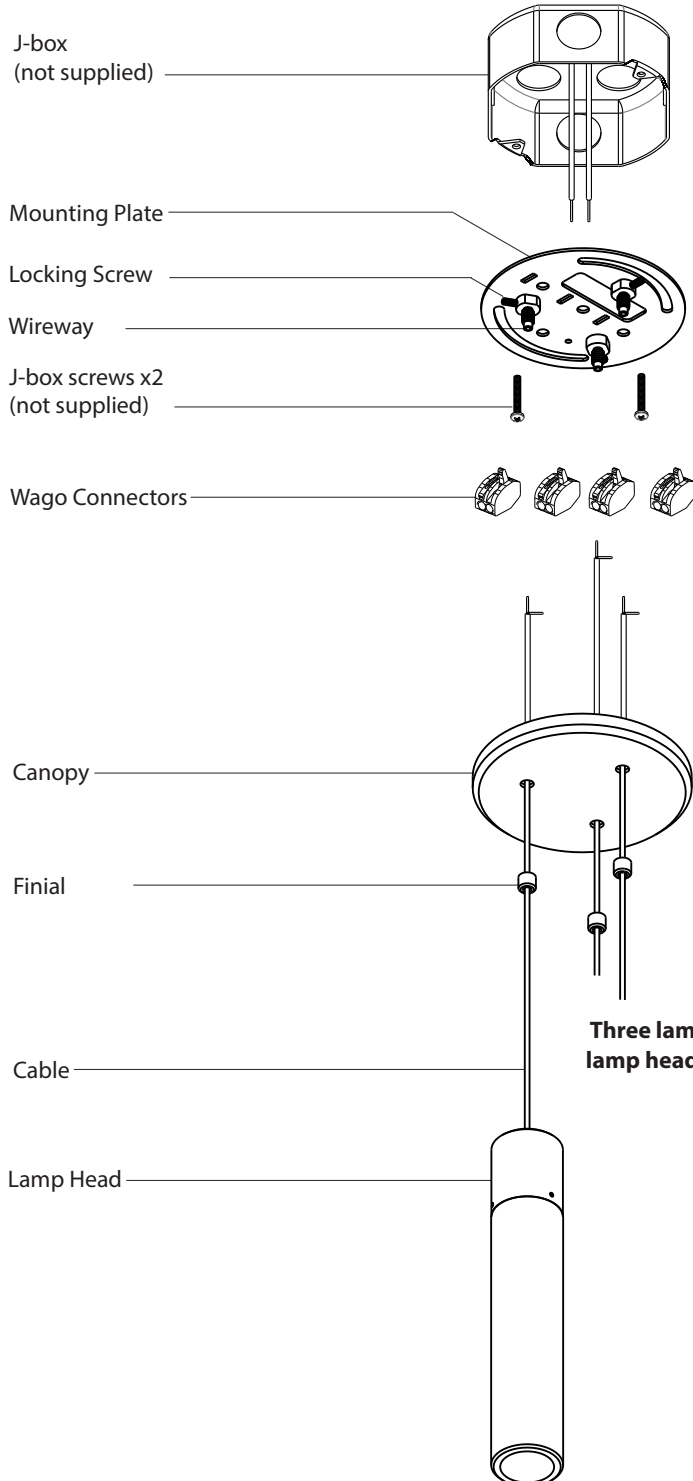


archilume
 Model No: AL Series (P3A) Date: yyyymmdd
 Ratings: 700mA, 9VDC, 6.3W Max
 Input: Class 2
 Warning: To be installed by a qualified electrician
 Relamp with Archilume part no. AL-H1

WARNING To be installed by qualified electrician. Power must be off when work is done. Failure to do so will cause permanent LED damage and will void warranty. Class 2 connection only. Use with Archilume constant current power supply only.

Series wiring only
*****Use with Archilume D8-700 driver only*****



Secure mounting plate to the j-box with j-box screws insuring that secondary supply leads from power supply are accessible.

Route cable through the finials, canopy and wireway. Check for correct mounting height and lock cable in place with locking screw until secure.

Strip the outer part of cable 3/4" exposing the outer shielding. Twist outer shielding into a wire for the negative connection. Strip center core of cable 3/8" long exposing center wire for the positive connection. Ensure that there are no frayed wires.

Connect secondary class 2 power supply to lamp head cable leads and make connections using lever lock wago connectors. Refer to wiring diagram page for correct wiring procedure. **Use Archilume D8-700 driver only.** Push connections securely into junction box.

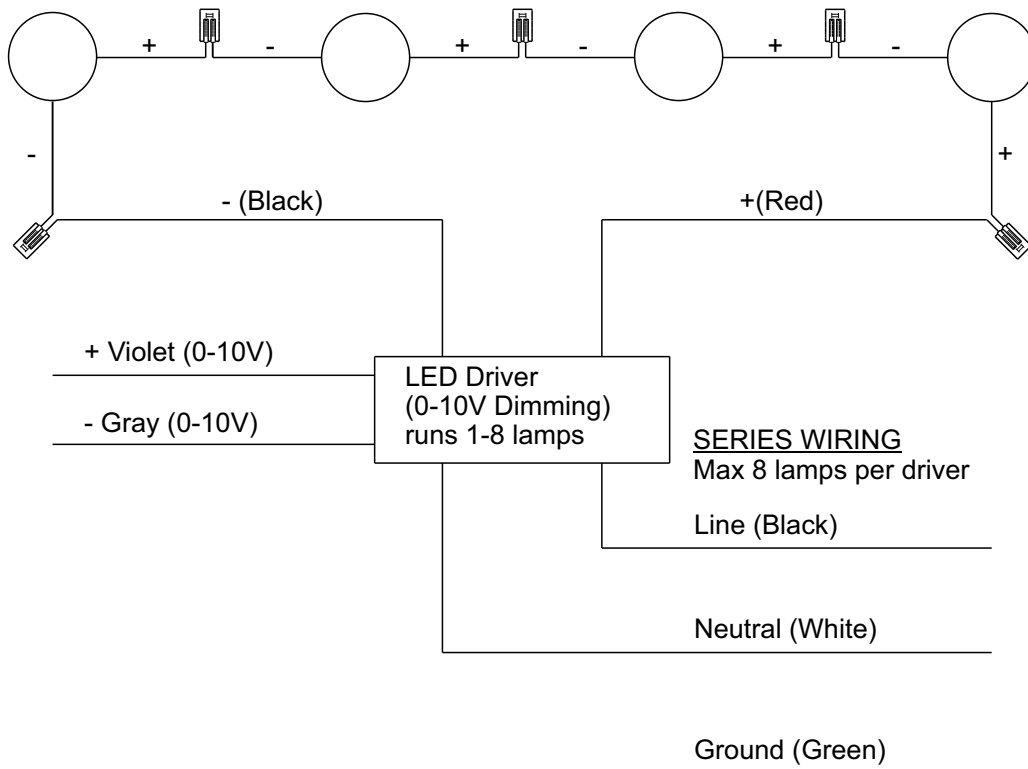
Push canopy up to mounting plate ensuring that no wires are exposed. Screw finial to wireway to secure canopy in place.

WARNING To be installed by qualified electrician. Power must be off when work is done. Failure to do so will cause permanent LED damage and will void warranty. Class 2 connection only. Use with Archilume constant current power supply only.

Series wiring only

*****Use with Archilume P1, P1M, P1C, P1D, P1T, P2, P3, P4, P5, P1_Balance, P2_Balance, W1D, W1U, W2UD, W4 only*****

*****DO NOT USE ON ALTO, AURA or OVOLO*****



SERIES WIRING
Max 8 lamps per driver

Line (Black)

Neutral (White)

Ground (Green)

WARNING To be installed by qualified electrician. Power must be off when work is done. Failure to do so will cause permanent LED damage and will void warranty. Class 2 connection only. Use with Archilume constant current power supply only.

Series wiring only

*****Use with Archilume P1, P1M, P1C, P1D, P1T, P2, P3, P4, P5, P1_Balance, P2_Balance, W1D, W1U, W2UD, W4 only*****

*****DO NOT USE ON ALTO, AURA or OVOLO*****

