



# THE BRAND

Archilume's glare-free luminaires are a revolution in the use of LED lighting due to the use of the total internal reflection (TIR) optical principle. Archilume's unassuming simplicity masks a visionary design that transforms energy-efficient LED lighting into clean, modern luminaires. The dimmable lighting collection includes pendant lights, ceiling chandeliers, and wall sconces as well as customized configurations to create impactful feature lighting installations.

Designed and manufactured in Vancouver, BC, Archilume's manufacturing ethics stem from a principle of maximizing the use of smaller local production facilities to create an inherently energy efficient product with a reduced carbon footprint. This business practice contributes to a healthy local economy with high standards of production quality.

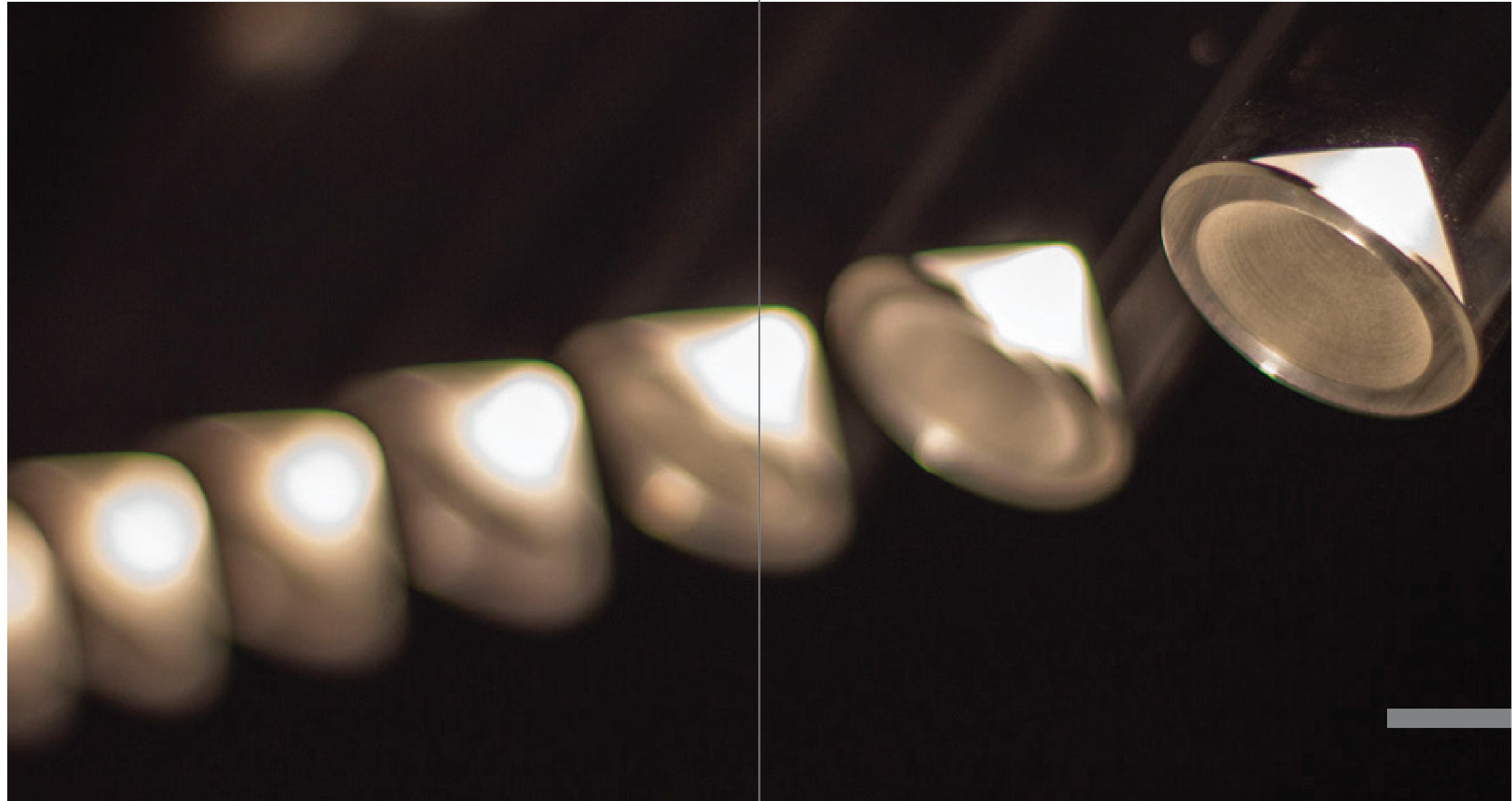
"We have had huge success in building a practice using local manufacturing because of the high standards of quality control we can exercise with our fabrication partners," says Archilume owner and lighting designer, Saleem Khattak. "There are many small manufacturers who do good quality work in British Columbia, and we value keeping this production alive and thriving in our home province."

Archilume captures the principle of total internal reflection and diffusion to create sleek glarefree lights in a sculptural form suited for ultra-modern to heritage-style interiors. The Archilume lighting line is intended for illumination at counter and bar areas, or in clustered formations as chandeliers in hotel lobbies, entrances, lounges and dining areas. The line is versatile and offers the option to order custom configurations.

[archilume.com](http://archilume.com)

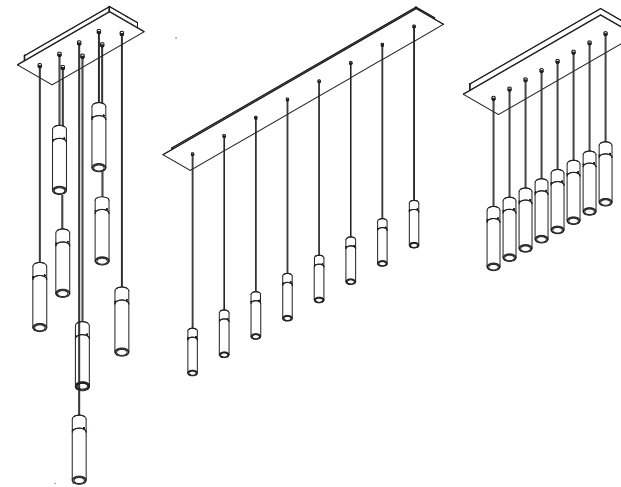
archilume







# P8A P8L P8



P8A

P8L

P8

## Pendant · Indoor



These eight light pendant dimmable LED chandeliers are ideal for illumination in lobbies, entrances, living and dining areas as well as kitchen islands. A classic design features pendants made of solid clear cylindrical lenses with frosted conical light diffuser.

The chandelier composition is customizable when installed on site so each installation is unique. Pendant cable suspension lengths are field adjustable and can be consistent in length for a uniform appearance or varied for a staggered aesthetic. Standard surface finish is clear anodized aluminum, but other anodized finishes are available as a bespoke solution.

## Light Source

Single 2 watt LED, 150 lumens, 90 CRI, 2700K (warm white color temperature). Color consistent from LED to LED within a 3 step MacAdam ellipse.





Smiros & Smiros Architects



Cat Segovia

# P8A-P8L-P8

SPECIFICATION



**Description:** High efficiency LED decorative pendant mount luminaire with machined aluminum housing and clear acrylic light control lens.

**Lamping:** Single 2 watt LED, 150 lumens, 90 CRI, 2700K (warm white color temperature). Color consistent from LED to LED within a 3 step MacAdam ellipse.

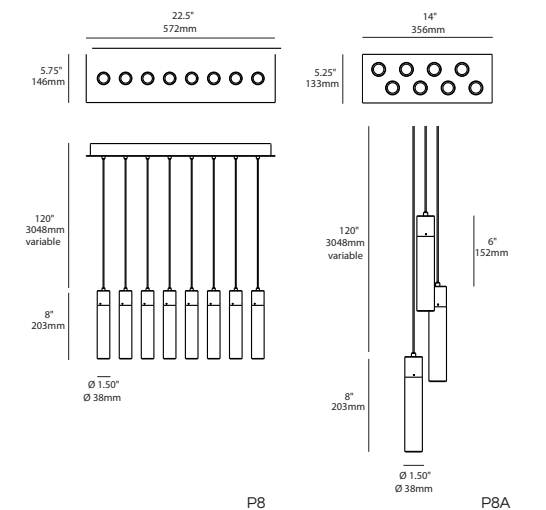
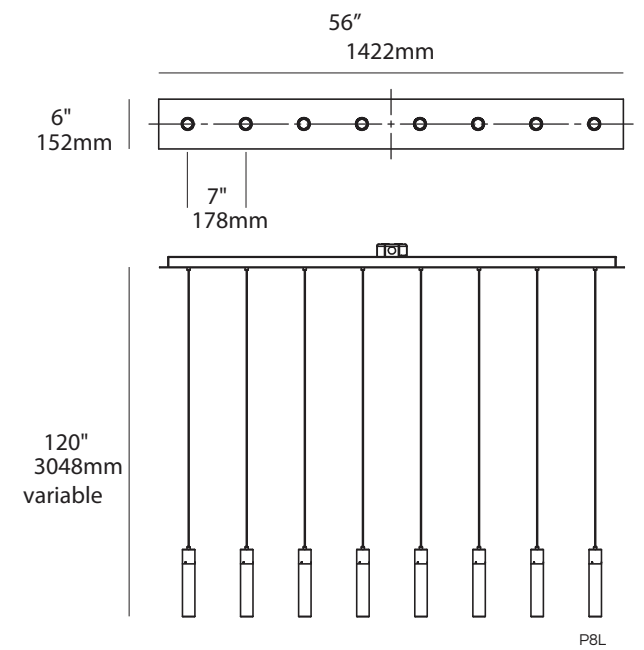
**Electrical:** Constant current class 2 driver (0-10V dimmable), 120/277V 50/60Hz, 700mA (sold separate). See D8 remote driver spec sheet for details.

**Function:** Canopy and mounting plate provided. Mounts directly to 4" octagonal j-box (by others) 120"(3048mm) suspension cable provided standard. Field adjustable.

**Metal finish:** Clear anodized aluminum (Custom anodized finishes available)

**Light Distribution Optics:** Diffuse (standard)

**Approvals:** Dry locations, approved to UL safety standards for luminaires when used with Archilume D8 driver.



# Product Symbols

## Colour Finishes



## Product Specifications

