

**Description:** High efficiency LED decorative pendant mount luminaire with machined aluminum housing and clear acrylic light control lens.

**Lamping:** Single 4 watt warm dimmable LED, 400 lumens, 95 CRI, 3000K to 1800K smooth dimming transition. Color consistent from LED to LED within a 3 step MacAdam ellipse.

**Electrical:** Constant current class 2 driver (0-10V dimmable), 120/277V 50/60Hz, 250mA driver (sold separate). See D8-250 remote driver spec sheet for details.

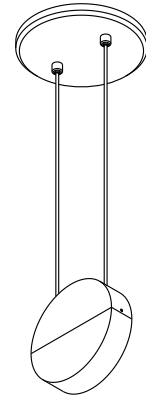
**Function:** Canopy and mounting plate provided. Mounts directly to 4" octagonal j-box (by others) 120"(3048mm) suspension cable provided standard. Field adjustable.

**Metal finish:** Clear anodized aluminum (Custom anodized finishes available)

**Light Distribution Optics:** Clear acrylic light control lens with diffuse light distribution aperture

**Approvals:** Dry locations, approved to UL safety standards for luminaires when used with Archilume D8 series driver.

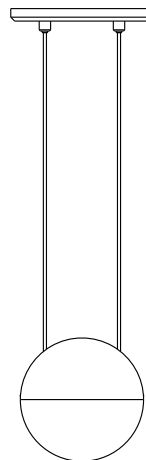
**Order Code:** P1\_Balance



Ø 4.25"  
Ø 108mm

120"  
3048mm  
variable

Ø 4"  
Ø 102mm

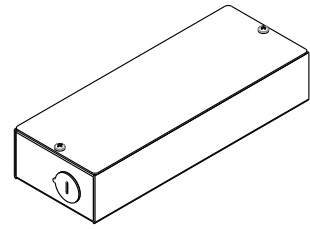


Ø 4"x1"

Ø 102mm x25.4mm

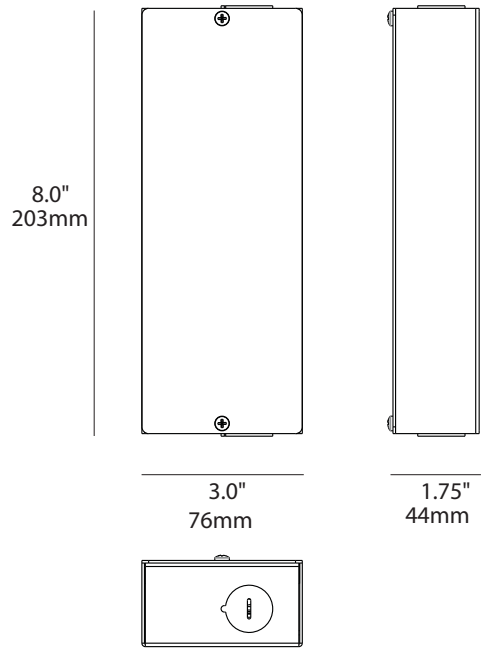
**Description:** Remote Mounted Electronic Driver - Suitable for operation of 1 to 8 Archilume lamp heads. Suitable for remote mounting up to 25 feet.

**Electrical:** 20 watt, 120-277V 50/60Hz input, 700mA constant current class 2 output. Class A sound rating. Short circuit protection. The violet (positive) and the gray (negative) leads provided are for use with 0-10V DC type dimmers and controls.



**Compatible 0-10V dimmers and switches:** Leviton IllumaTech - IP710-DLX  
Lutron Nova T - NTFTV  
Lutron Diva - DVTV  
Lutron Diva - NFTV  
Watt Stoper DCLV1  
Pass and Seymour (Legrand) CD4FB-W

**Compatible dimming control systems:** Lutron GraphicEye - GRX-TVI w GRX3503  
Lutron Energy Savr Node - QSN-4T16-S  
Lutron TVM2 Module  
Crestron GLX-DIMFLV8  
Crestron GLXP-DIMFLV8  
Crestron GLPAC-DIMFLV4-\*  
Crestron GLPAC-DIMFLV8-\*  
Crestron GLPP-DIMFLVEX-PM  
Crestron GLPP-1DIMFLV2EX-PM  
Crestron GLPP-1DIMFLV3EX-PM  
Crestron DIN-AO8  
Crestron DIN-4DIMFLV4  
Crestron CLS-EXP-DIMFLV  
Crestron CLCI-1DIMFLV2EX



**Mounting:** Mounts from inside box with (2) #10 screws (by others). Mounting holes are on the centerline on 6.75" (171mm) centers.

**Remote Box Finish:** Galvanized metal.

**Approvals:** Dry locations, approved to UL safety standards for luminaires.

**Order Code:** D8\_700